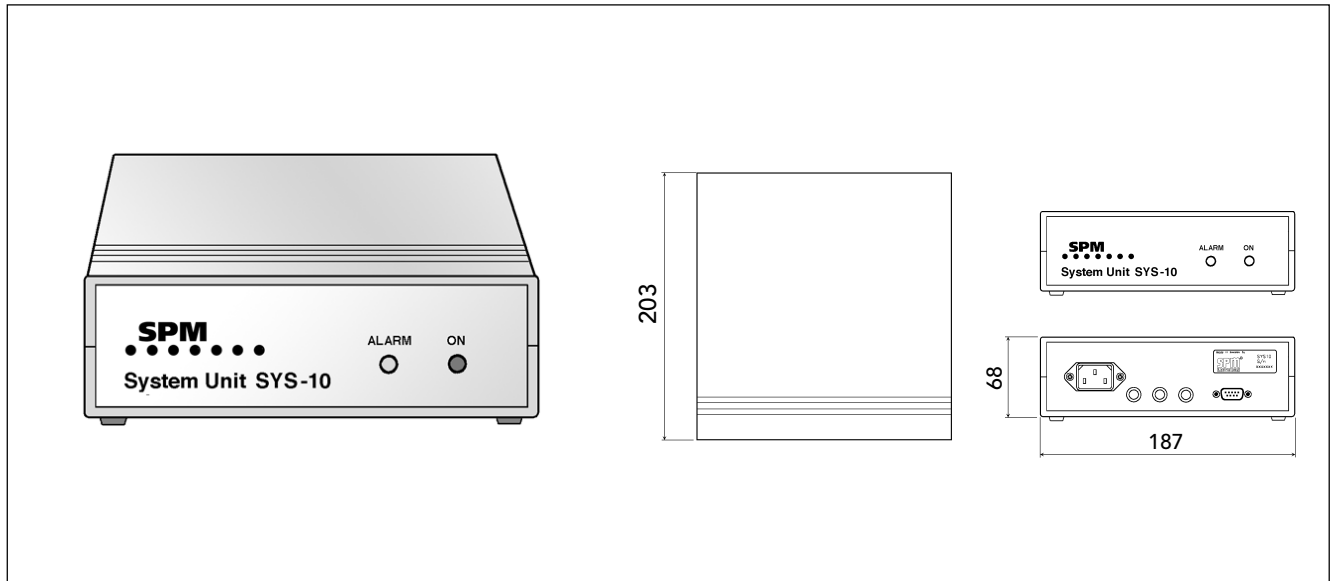


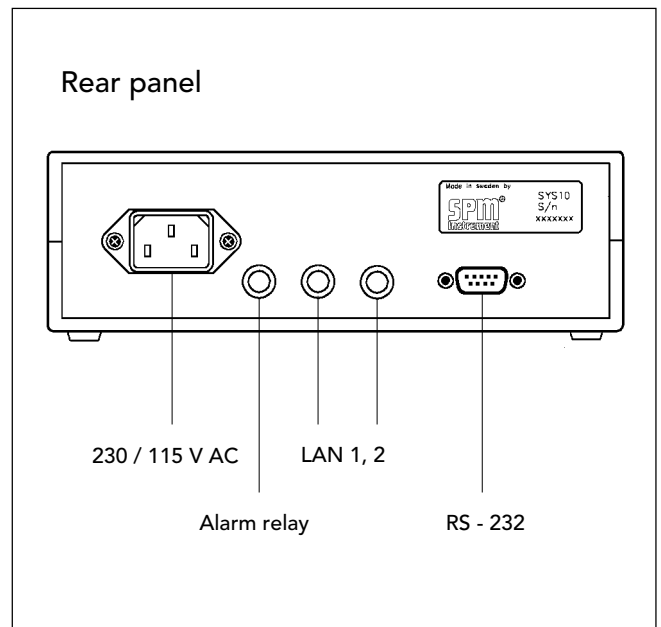
CMS: System Unit SYS-10



The system unit SYS-10 is the interface between the measuring units and the computer. It can accommodate up to 250 measuring units, connected in one or two local area networks (LAN).

The system unit is placed close to the computer equipment (max. cable length 10 m). Via a 9 pin RS-232 serial port, the system unit is connected to a modem or, normally, directly to the PC. The transmission rate is set by internal switches, 7 settings from 300 to 19 200 bits/second (baud rate).

On delivery, the unit is set for 230 V AC. An internal connector can be modified to set the unit for 115 V AC. A mains power cable is included. Power ON is indicated by a green light on the front panel, system alarm by a red light. An external warning circuit, triggered by a system alarm or loss of power, can be connected via a relay output. The relay (10 VA, 50 V, 0.5 A) is normally closed.



Technical data

Input:	2 LAN channels, max. 250 units
Output:	9 pin RS-232 serial port
Power supply:	230 or 115 V AC, 5 VA
Relay:	Max. 10 VA, 50 V, 0.5 A
Transmission rate:	300, 600, 1200, 2400, 4800, 9600, 19200 bps
Casing:	ABS, black
Temperature:	0° C to + 55° C (32° to 130° F)
Dimensions:	187 x 203 x 68 mm (7.5 x 8.1 x 2.7 in)
Weight:	0.9 kg (32 oz)

