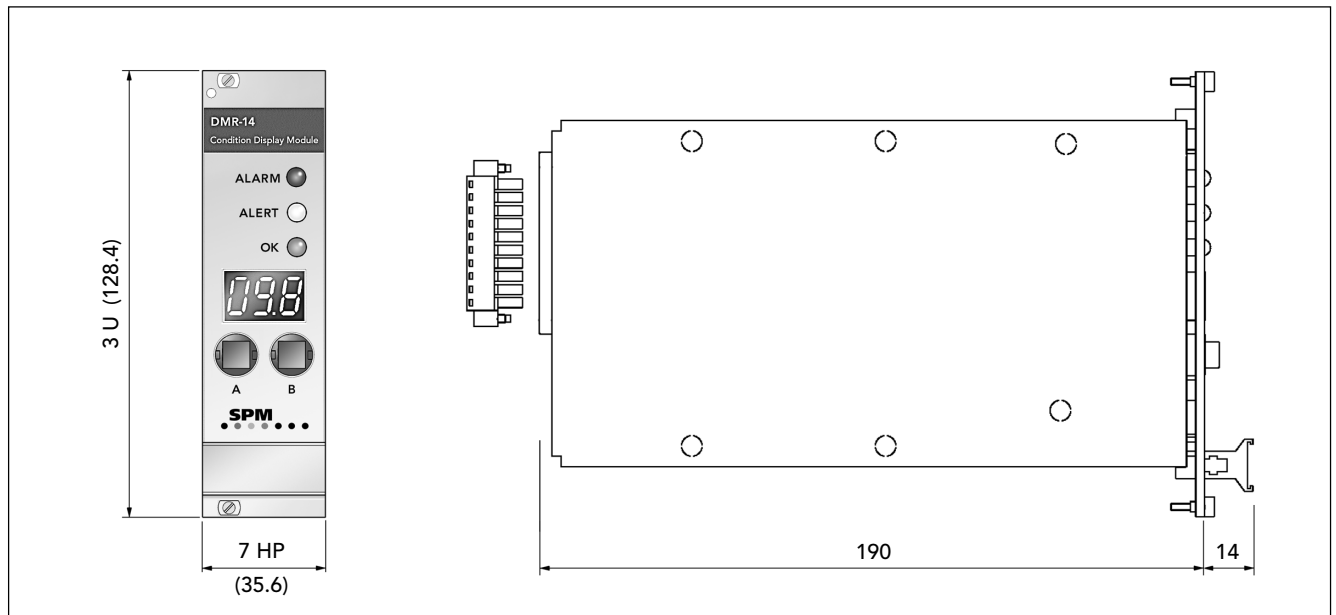


CMM System - Display Module for Rack DMR-14



DMR-14 is a condition display module for 4-20 mA analog signals. Measured quantities and ranges are selected from a preprogrammed list (13 programs) or from user defined programs (7 programs).

The display module is intended for mounting in standard 19" racks. It is supplied with 12 to 24 V DC, source referred to earth.

The display module has two input channels and two relay outputs. The relays can be controlled by either input channel. In one channel mode, both relays are slaved to a single input channel and provide relay switching at two levels (ALERT and ALARM). In two channel mode, each input channel uses one relay which switches at a preset ALARM level.

Programmable parameters for each input channel are the measuring range, the two alarm levels ALERT and ALARM, and the alarm delay. These are input using two push buttons. Power failure will not erase the program.

Condition display is provided by three coloured LEDs. The green LED is on while measured values are below the ALERT level. Measured values between ALERT and ALARM on either channel trigger a yellow LED, and a red LED lights up when a measured value exceeds an ALARM level. A blinking yellow LED indicates a system fault (incoming signal below 4 mA).

The measured value is displayed with three digits. In two channel mode the status LED's and the display alternate between the two channels and show the channel number followed by the measured value on this channel.

Technical data

Input channels:	2
Input signals:	4 to 20 mA
Output channels:	2 relays, 24V / 100 mA
Measuring range:	selected to match the signal input
Value display:	3 digits, LED
Condition display:	green, yellow, and red LED
Alarm limits:	2 per input channel, set with push-buttons
Alarm delay:	0 - 600 seconds for each alarm level
Push-buttons:	2, for display control and programming
Line continuity:	blinking yellow LED = signal below 4 mA (faulty or interrupted input circuit)
Masuring resistance:	47 Ω
Power supply:	12 to 24 V DC (± 10%, tested according to EN 50082-2)
Supply current:	max. 0.1 A
Temperature range:	0° to 55° C
Vibration exposure:	max. 5 mm/s RMS
Design:	anodised aluminium, not protected
Input/output connectors:	screw terminals for cable max. 1.5 mm ² , connector plug included
Mounting:	19" rack
Dimensions:	3 U x 7 HP x 204 mm, DIN 41494
Weight:	200 g

