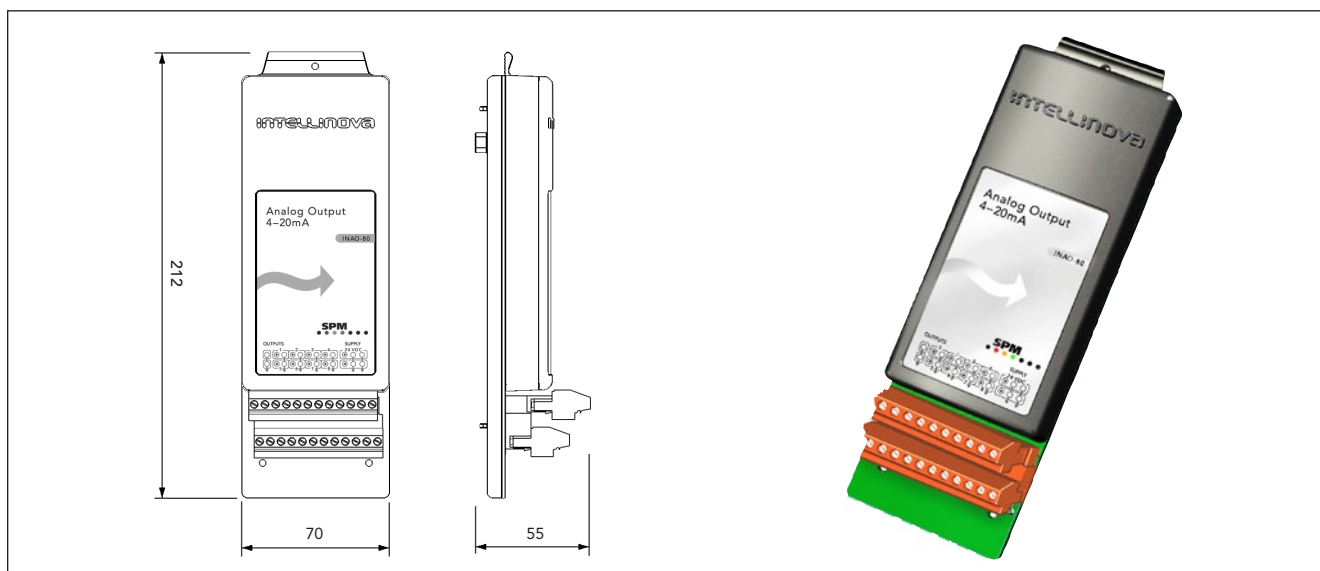


# Intellinova® – Analog Output Unit INAO80



The Analog Output Unit INAO80 is a part of the Intellinova System and has eight current outputs. The unit is simply plugged into the socket in the Intellinova Commander Unit.

The unit converts the measuring values from the monitoring units to analog signals 4 – 20 mA for connection to PLC, DCS or other control systems.

## Technical data

Analog outputs:	8
Output:	4 to 20 mA
Power supply:	18 to 36 V DC, nom. 24 V DC
Output connectors:	screw terminal
Design:	encapsulated circuit board, not protected
Power consumption:	0.1 W from INC40 and 2 W from external power supply
Operating temperature:	0 to +60 °C (32 to 140 °F)
Storage temperature:	-20 to +80 °C (-4 to 176 °F)
Relative humidity:	10% to 90% (non-condensing)
Mounting:	plug-in connector and holding screws for attachment in Commander Unit
Dimensions:	212 x 70 x 55 mm
Weight:	approx. 200 g

